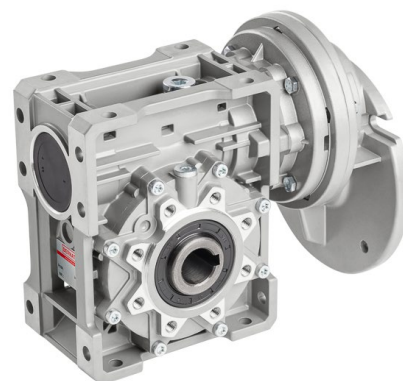


Data Sheet

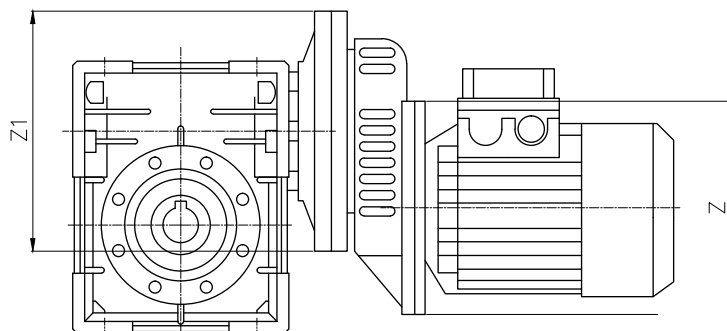
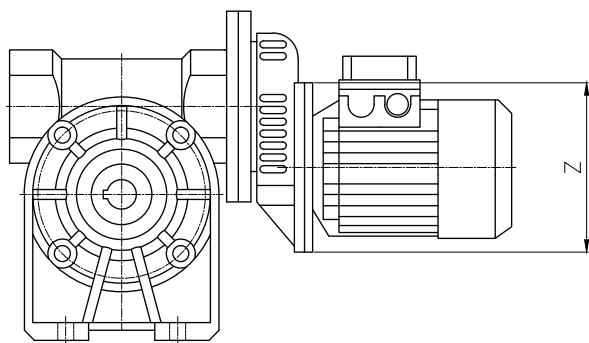
BV Series - BVPC Type - 63

Type	SIZE	i=	PAM
BVPC	63	3	63B5
	71	3	71B5
	80	3	80B5



	Z	Z1
BVPC 63	11/140	11/105
BVPC 71	14/160	14/120
BVPC 80	19/200	19/160

Example of a product key: **BVPC 80/090 168 80B5 B3**



Data Sheet

BV Series - BVPC Type - 63

Type	i-ratio	n2 r/min	Kw=P1	Nm=T2
BVPC 63/040	105	13.3	0.12	42
	138	10.1	0.12	42
	180	7.8	0.12	46
	210	6.7	0.12	40
	300	4.7	0.12	36

Type	i-ratio	n2 r/min	Kw=P1	Nm=T2
BVPC 63/050	108	12.9	0.18	72
	135	10.4	0.18	85
	180	7.8	0.12	65
	210	6.7	0.12	67
	240	5.8	0.12	58
	300	4.7	0.12	58

Type	i-ratio	n2 r/min	Kw=P1	Nm=T2
BVPC 71/050	84	16.7	0.25	80
	108	12.9	0.25	90
	135	10.4	0.25	90

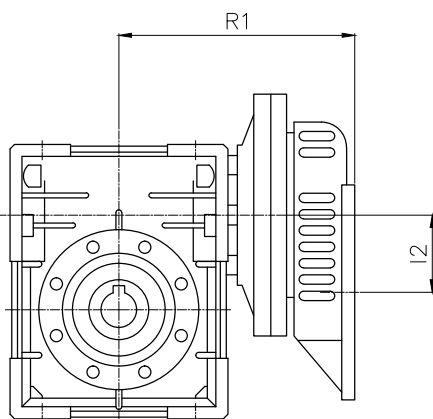
Type	i-ratio	n2 r/min	Kw=P1	Nm=T2
BVPC 71/063	114	12.3	0.37	170
	135	10.4	0.37	176
	192	7.3	0.25	149
	240	5.8	0.25	130
	300	4.7	0.25	120

Type	i-ratio	n2 r/min	Kw=P1	Nm=T2
BVPC 71/075	120	11.7	0.55	280
	150	9.3	0.37	215
	180	7.8	0.37	235
	240	5.8	0.37	210
	300	4.7	0.25	275

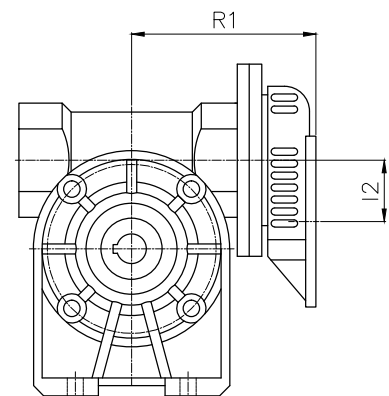
Type	i-ratio	n2 r/min	Kw=P1	Nm=T2
BVPC 80/075	90	15.6	0.75	310
	120	11.7	0.75	300
	150	9.3	0.75	260

Type	i-ratio	n2 r/min	Kw=P1	Nm=T2
BVPC 71/090	168	8.3	0.55	350
	192	7.3	0.37	280
	240	5.8	0.37	290
	300	4.7	0.37	275

Type	i-ratio	n2 r/min	Kw=P1	Nm=T2
BVPC 80/090	120	11.7	0.75	390
	138	10.1	0.75	360
	168	8.3	0.55	350
	192	7.3	0.55	330
	240	5.8	0.55	305



BVPC 063-075-090

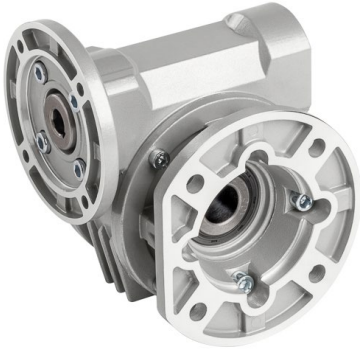


BVPC 040-050

BVPC	R1	l2
63/040	115	40
63/050	120	40
71/050	129	50
71/063	160	50
71/075	183	50
80/075	203	63
71/090	194	50
80/090	214	63

Data Sheet

BV Series - BVPC Type



Type	i-ratio	n2 r/min	Kw=P1	Nm=T2	f.s.	PAM IEC	
BV 050	7	200	1.1'	40	1.4	80/71	B5/B14
	10	140	1.1'	49	1.2	80/71	B5/B14
	14	100	0.75	57	1.1	80/71	B5/B14
	18	78	0.55	52	1.1	80/71	B5/B14
	24	58	0.55	67	0.9	80/71	B5/B14
	28	50	0.55	73	1.0	80/71	B5/B14
	36	39	0.37	61	1.1	71	B5/B14
	45	31	0.37	65	0.9	71/63	B5/B14
	60	23	0.25	60	1.0	71/63	B5/B14
	70	20	0.18	45	1.1	63	B5/B14
	80	17	0.18	54	1.0	63	B5/B14
	100	14	0.18	50	0.9	63	B5/B14

Gearbox Dimensions

